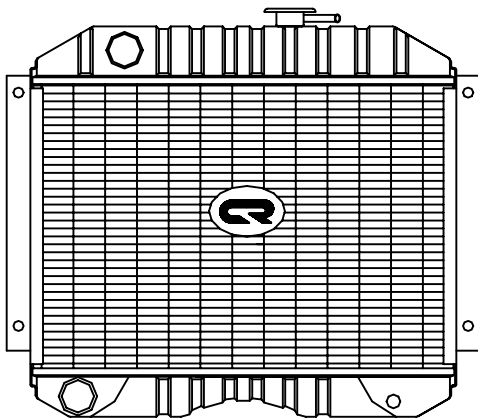
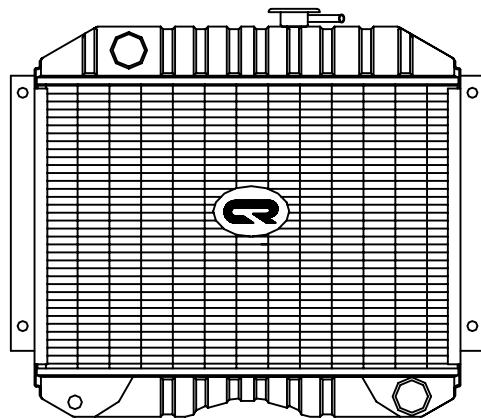


MODEL- JEEP  
PETROL/MM540/750DP



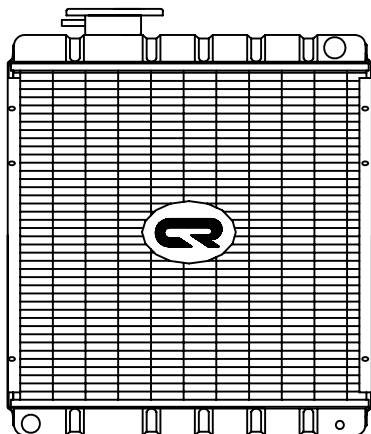
O.E PART NO.- 082518  
CORE TYPE- 3R H/D  
CORE SIZE- 335\*492\*55  
TUBES- 170  
FINS- 104

MODEL- JEEP DIESEL/CL500 DI  
INTER/MARSHAL DI  
COMMANDAR 640 & 650 DI



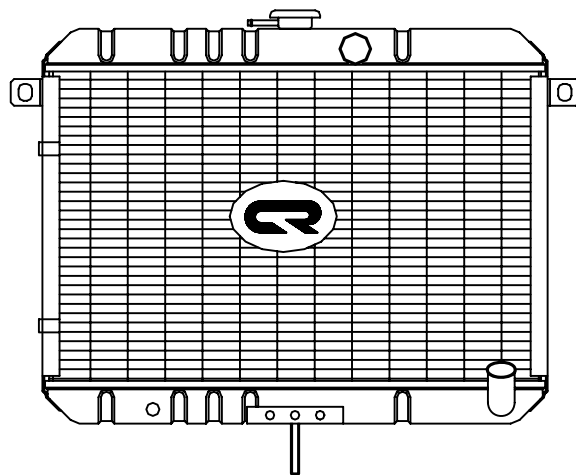
O.E PART NO.- 082503  
CORE TYPE- 4RL/D  
CORE SIZE- 335\*492\*55  
TUBES- 122  
FINS- 104

MODEL- JEEP PEUGOT



O.E PART NO.- 036464  
CORE TYPE- 4R L/D  
CORE SIZE- 445\*445\*55  
TUBES- 110  
FINS- 154

MODEL- PREMIER PADMANI A/C



O.E PART NO.- PAB 12481  
CORE TYPE- 3RL/F  
CORE SIZE- 351\*588\*51  
TUBES- 167  
FINS- 107

Radiators illustrated are not in proportion to one another.