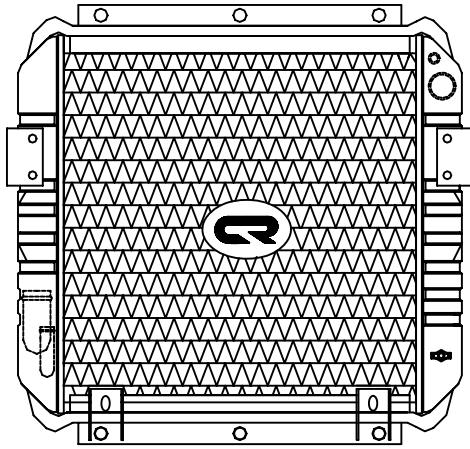
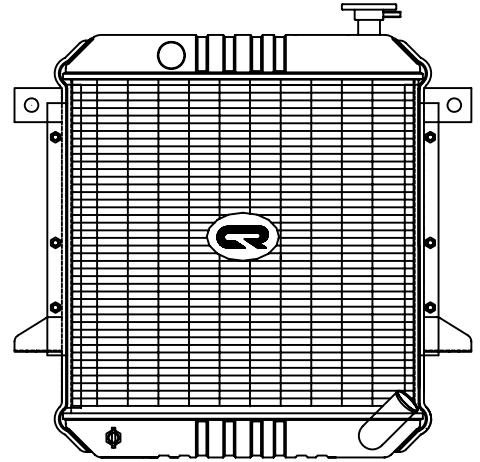


MODEL- LP 1009



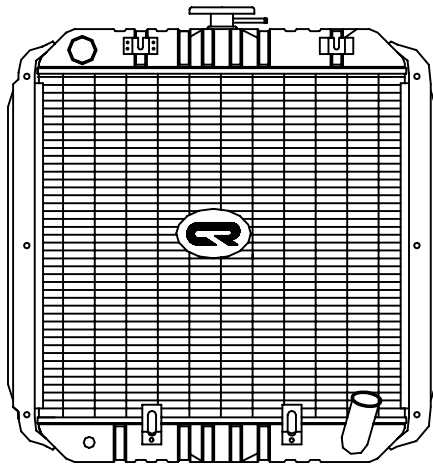
O.E PART NO.- 2527 5010 0213
 CORE TYPE- 4R MCC.
 CORE SIZE- 492*504*66
 TUBES- 164
 FINS- 42

MODEL- SFC 709 TURBO



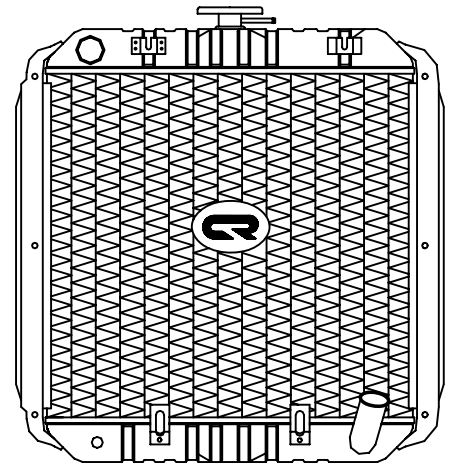
O.E PART NO.- 2527 5010 0231
 CORE TYPE- 4R L/F
 CORE SIZE- 490*490*62
 TUBES- 186
 FINS- 132

MODEL-TATA SUMO/SPACIO



O.E PART NO.- 2547 5010 0143/0215
 CORE TYPE- 4R LF
 CORE SIZE- 444*493*67.5
 TUBES- 186
 FINS- 142

MODEL- TATA-206/207



O.E PART NO.- 2547 5010 0121
 CORE TYPE- 3R MCC.
 CORE SIZE- 444*514*48
 TUBES- 126
 FINS- 43

Radiators illustrated are not in proportion to one another.