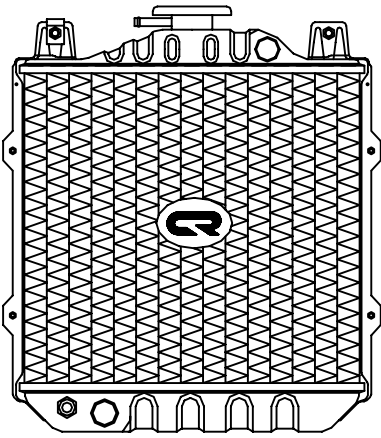
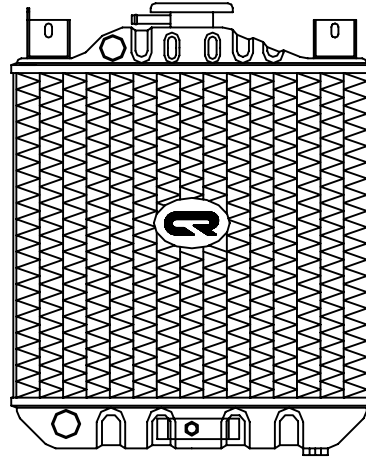


MODEL- MARUTI 800



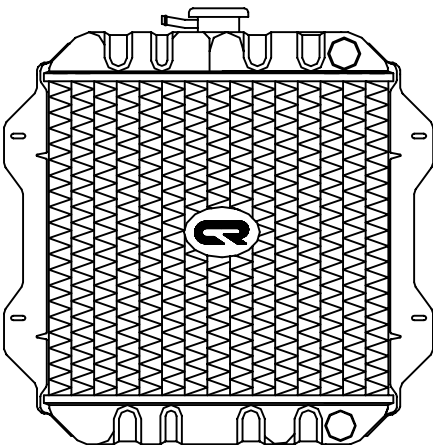
O.E PART NO.- 17700 M8200
 CORE TYPE- 2R MCC.
 CORE SIZE- 300*348*32
 TUBES- 56
 FINS- 29

MODEL- MARUTI ESTEEM/1000



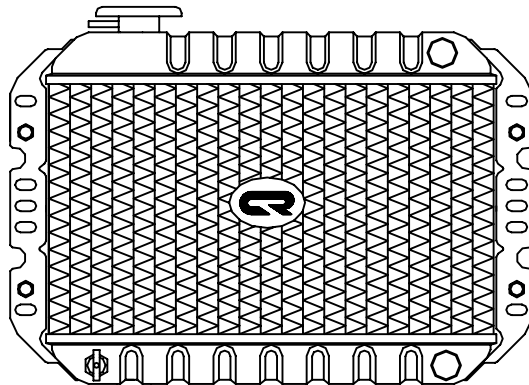
O.E PART NO.- 17700 M 63 B 20
 CORE TYPE- 2R MCC.
 CORE SIZE- 373*348*32 , 320*348*32
 TUBES- 56
 FINS- 29

MODEL- MARUTI GYPSY



O.E PART NO.- 17700 M 800 FO
 CORE TYPE- 2R MCC
 CORE SIZE- 298*384*32
 TUBES- 62
 FINS- 32

MODEL- MARUTI OMNI/ VAN



O.E PART NO.- 17700 M 792 FO
 CORE TYPE- 2R MCC.
 CORE SIZE- 235*418*32
 TUBES- 68
 FINS- 35

Radiators illustrated are not in proportion to one another.