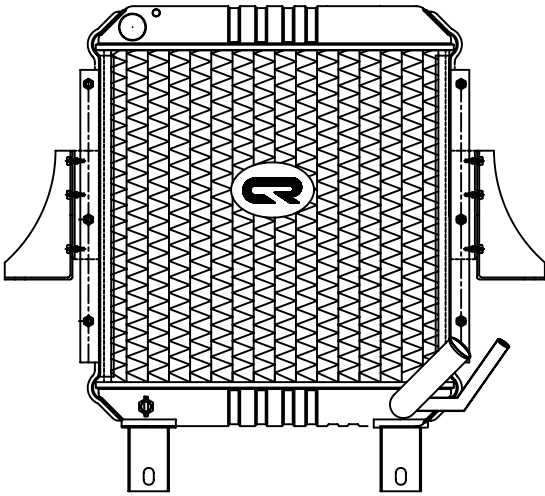
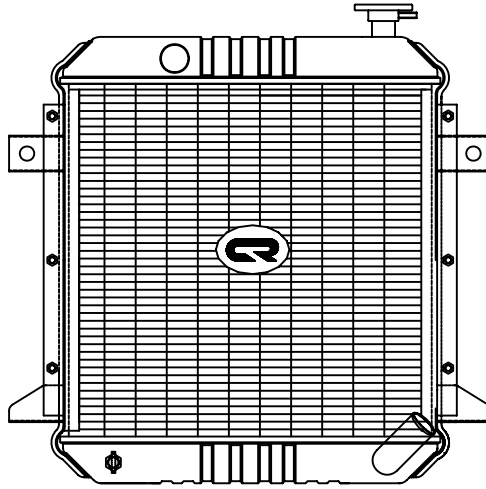


MODEL-TATA 1109 TURBO



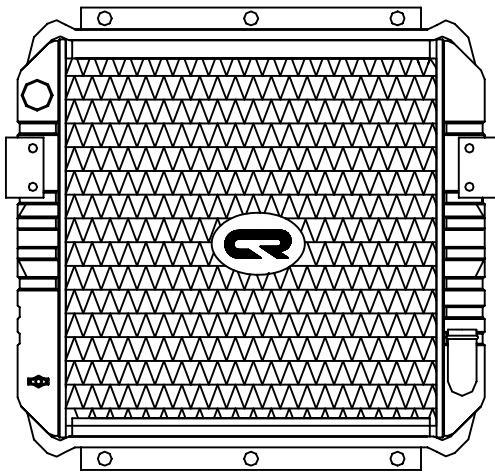
O.E PART NO.- 2527 5010 0258/0261
 CORE TYPE- 4R MCC.
 CORE SIZE- 490*504*66
 TUBES- 164
 FINS- 42

MODEL- SFC 407 TURBO



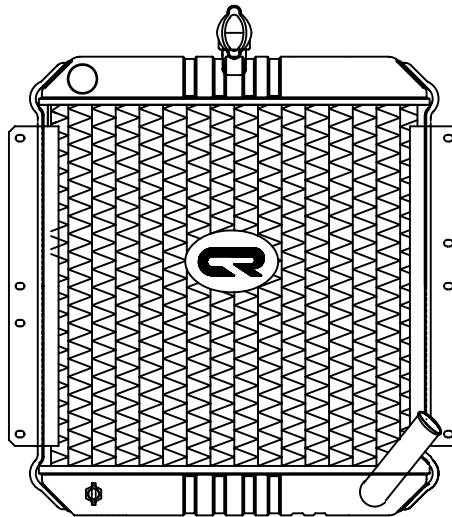
O.E PART NO.- 2534 5010 0189
 CORE TYPE- 4R L/F
 CORE SIZE- 490*492*62
 TUBES- 186
 FINS- 130

MODEL- LP 609 /709 /909 (HOR.)



O.E PART NO.- 2527 5010 0127
 CORE TYPE- 4R MCC. 4R H/D(909)
 CORE SIZE- 490*504*66 492*490*74
 TUBES- 164 222
 FINS- 42 192

MODEL-LPTA 610/LP/LPT 911



O.E PART NO.- 2523 5010 0217 CR
 CORE TYPE- 4R MCC.
 CORE SIZE- 490*504*66
 TUBES- 164
 FINS- 42

Radiators illustrated are not in proportion to one another.