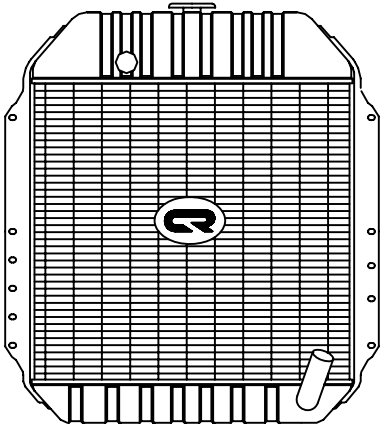
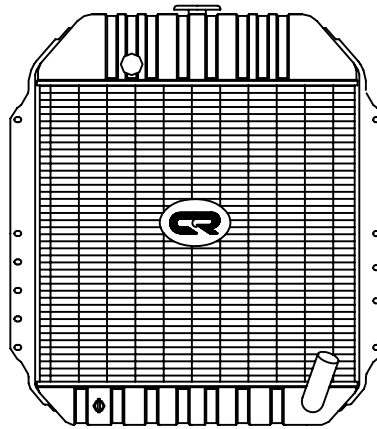


MODEL-TATA1510 LP/1612 LPT



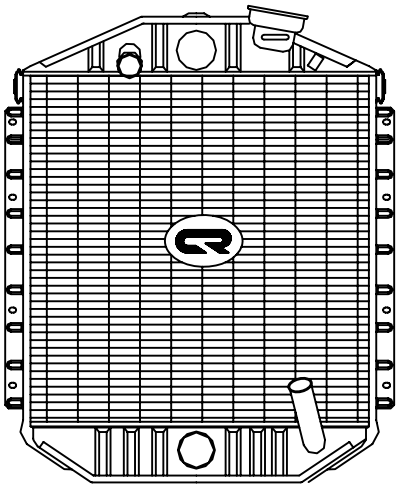
O.E PART NO.- 2525 5010 0201 CR
 CORE TYPE- 4R L/F
 CORE SIZE- 520*556*67.5
 TUBES- 206
 FINS- 162

MODEL-TATA-1612 /1613 SE



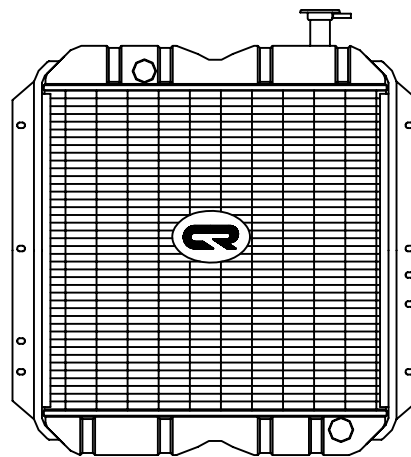
O.E PART NO.- 2525 5010 0222 CR
 CORE TYPE- 4R L/F
 CORE SIZE- 520*556*67.5
 TUBES- 202
 FINS- 162

MODEL-TMB



O.E PART NO.- 312 500 2901
 CORE TYPE- 4R L/F
 CORE SIZE- 595*578*67.5
 TUBES- 218
 FINS- 163

MODEL-TATA 1210 SE



O.E PART NO.- 2523 5010 0113
 CORE TYPE- 4R LF
 CORE SIZE- 520*536*62
 TUBES- 202
 FINS- 143

Radiators illustrated are not in proportion to one another.