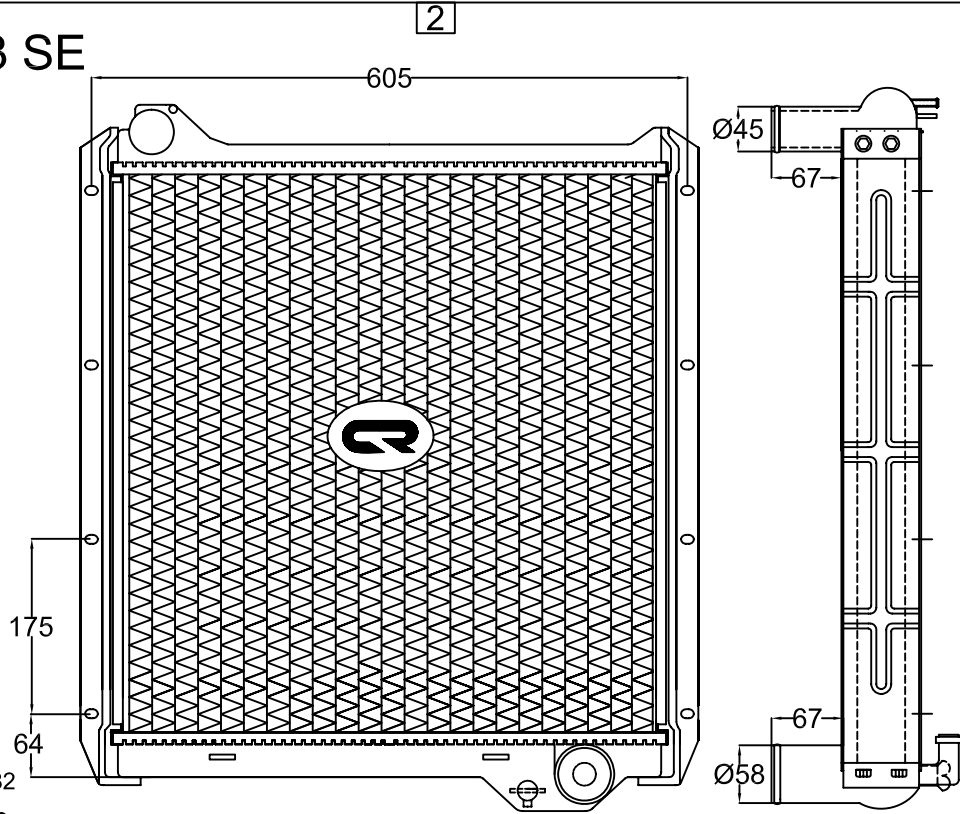
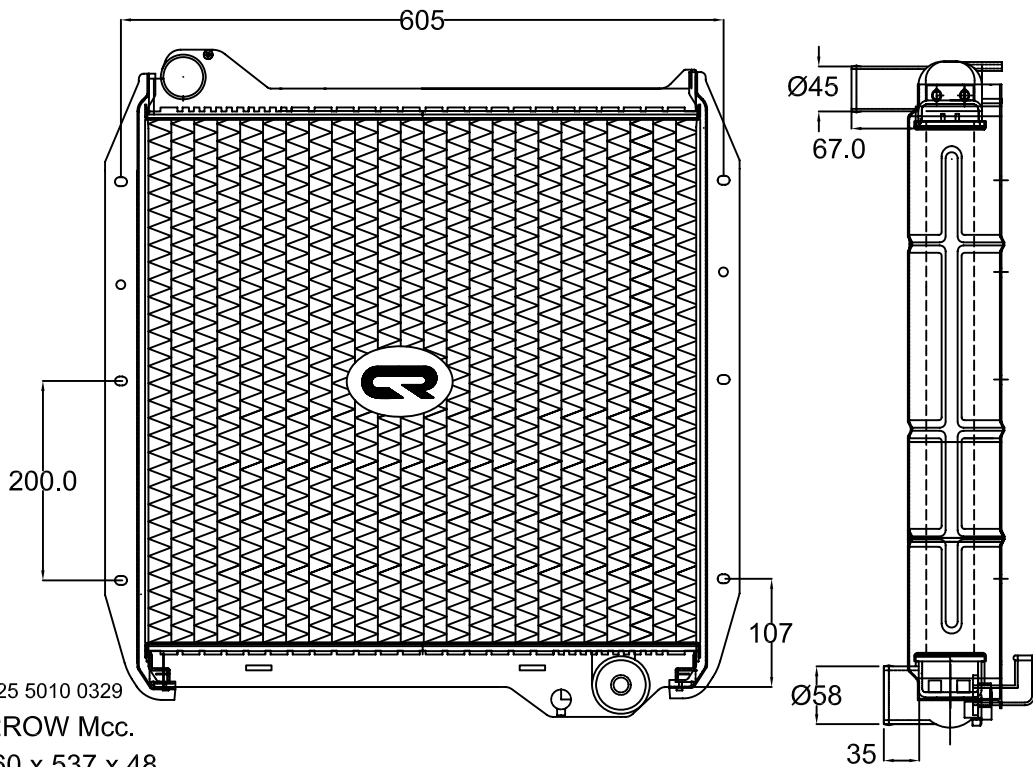


# MODEL- 1613 SE



O.E PART NO.-2525 5010 0282  
CORE TYPE- 2 ROW Mcc.  
CORE SIZE-560 X 537 X48  
TUBES- 108  
FINS-55

# MODEL-1613 SK



O.E PART NO.- 2525 5010 0329  
CORE TYPE-2ROW Mcc.  
CORE SIZE-560 x 537 x 48  
TUBES- 108  
FINS- 55

Radiators illustrated are not in proportion to one another.