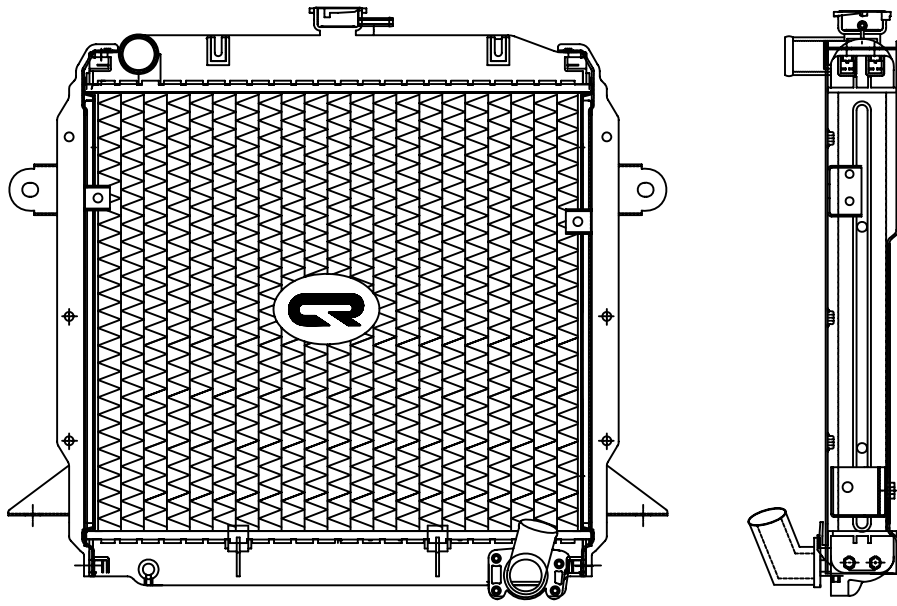


MODEL- 407 E III



O.E PART NO.2534-5010-0261

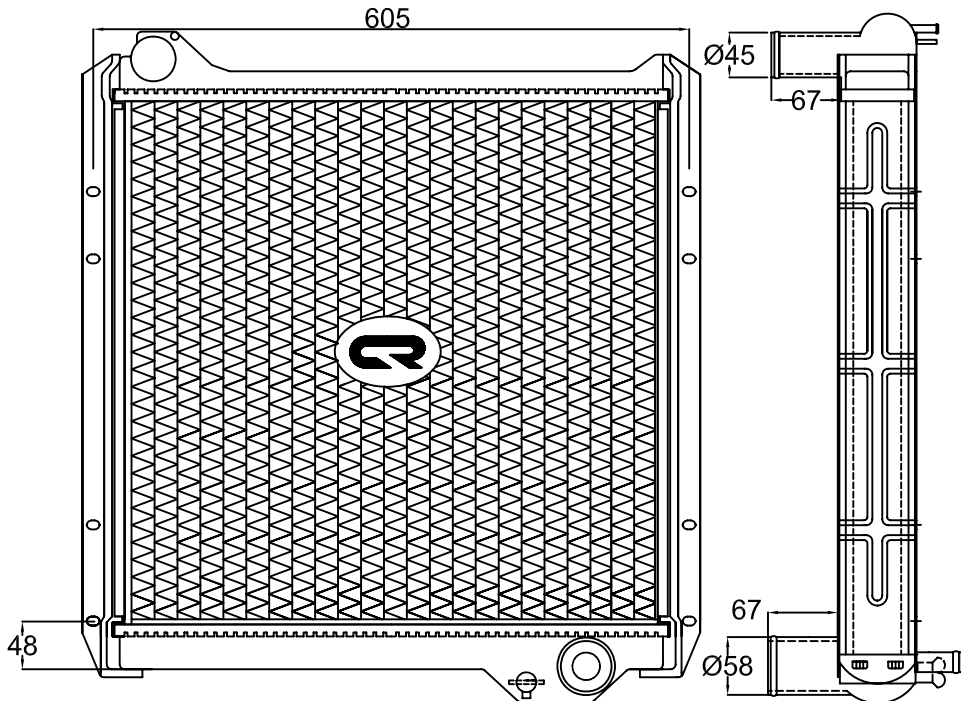
CORE TYPE- 2 ROW Mcc.

CORE SIZE-550 X 488 X48

TUBES- 98

FINS-50

MODEL- 709 E III



O.E PART NO - 2527 5010 0340

CORE TYPE-2ROW Mcc.

CORE SIZE- 525 X 537 X 48

TUBES- 108

FINS- 55

Radiators illustrated are not in proportion to one another.