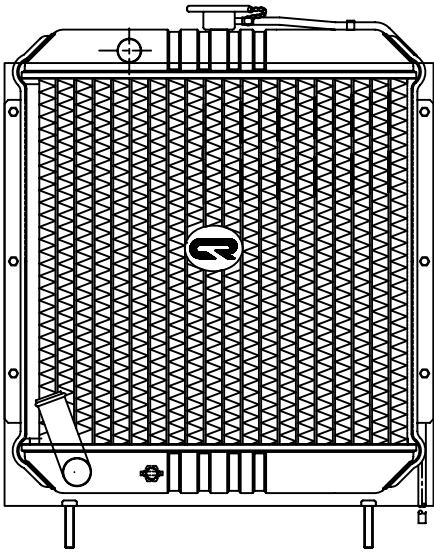
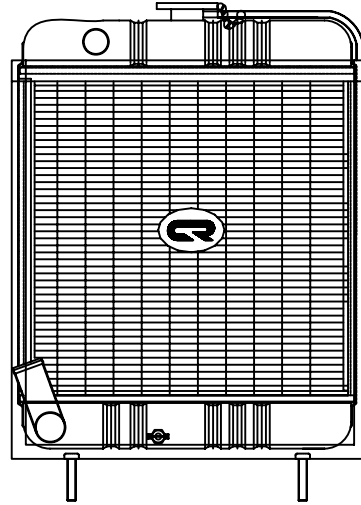


## MODEL-GENSET 30-40 KVA



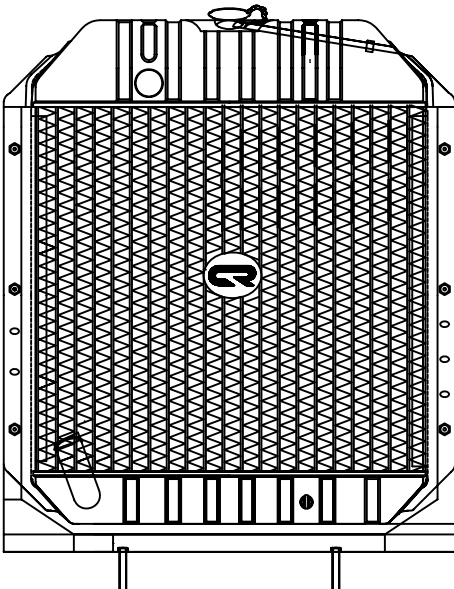
O.E PART NO.- P4  
 CORE TYPE- 4R MCC.  
 CORE SIZE- 490\*504\*66  
 TUBES- 164  
 FINS- 42

## MODEL- GENSET 15-22.5 KVA



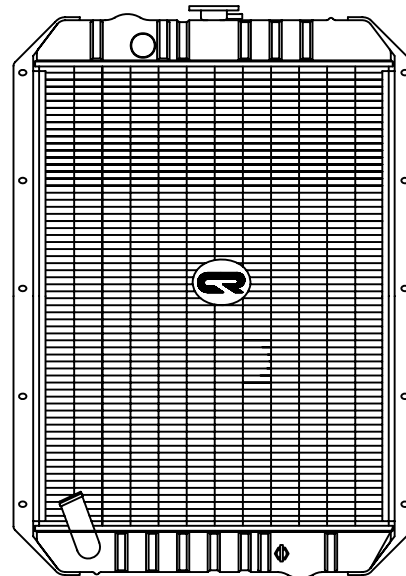
O.E PART NO.- P3  
 CORE TYPE- 4R L/F  
 CORE SIZE- 423\*430\*67.5  
 TUBES- 158+4  
 FINS- 144+/-2

## MODEL- GENSET 62 KVA



O.E PART NO.- P 6  
 CORE TYPE- 4R MCC.  
 CORE SIZE- 520\*540\*66  
 TUBES- 176  
 FINS- 45

## MODEL- GENSET 125 KVA



O.E PART NO.-  
 CORE TYPE- 4R LF  
 CORE SIZE- 740\*567\*67.5  
 TUBES- 210+4  
 FINS- 256 +/-2

Radiators illustrated are not in proportion to one another.