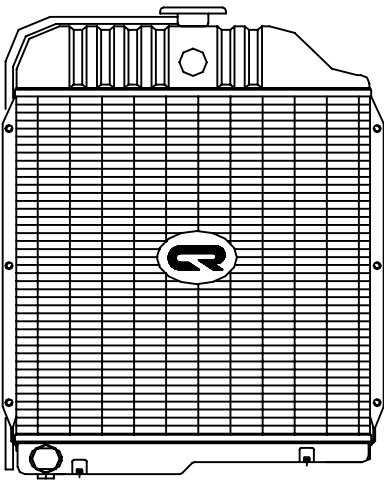
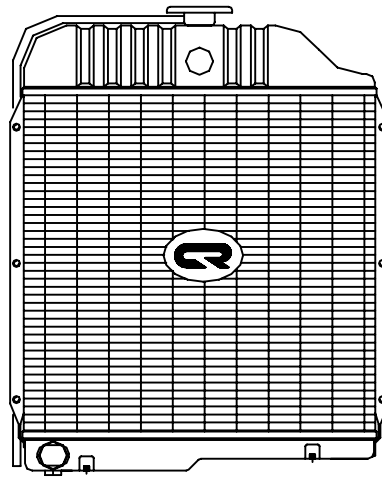


MODEL- HMT 5911



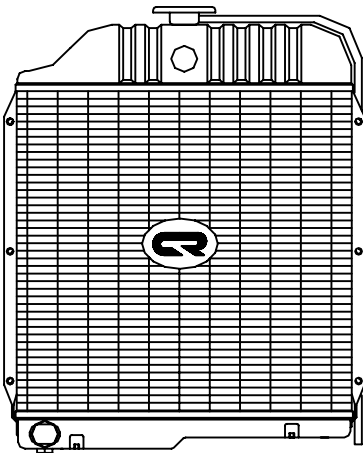
O.E PART NO.- 5148 1300 71 CR
 CORE TYPE- 4R H/D
 CORE SIZE- 400*423*74
 TUBES- 157
 FINS- 140

MODEL- HMT 4511



O.E PART NO.- S1-4513 0071
 CORE TYPE- 5R L/D
 CORE SIZE- 400*428*67
 TUBES- 133
 FINS- 140

MODEL- HMT 6522



O.E PART NO.- 5213 7000 04 CR
 CORE TYPE- 5R H/D
 CORE SIZE- 400*416*78
 TUBES- 218+4
 FINS- 136+/-2

Radiators illustrated are not in proportion to one another.