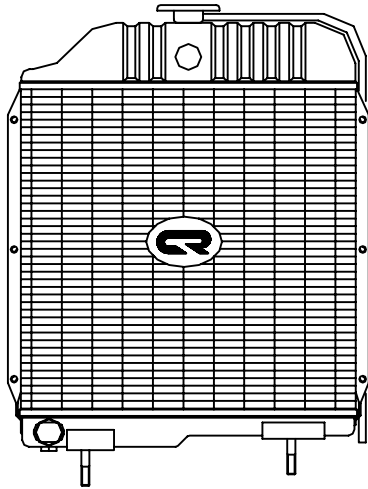
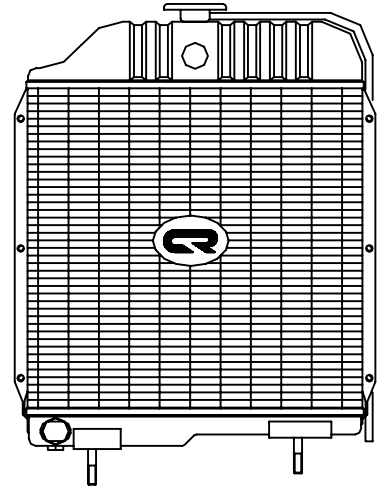


MODEL- HMT 2522



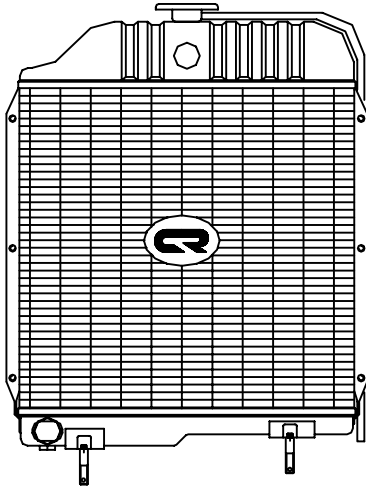
O.E PART NO.- 5128 1300 7391CR  
 CORE TYPE- 3R L/D  
 CORE SIZE- 395\*413\*43  
 TUBES- 79  
 FINS- 122

MODEL- HMT 3522



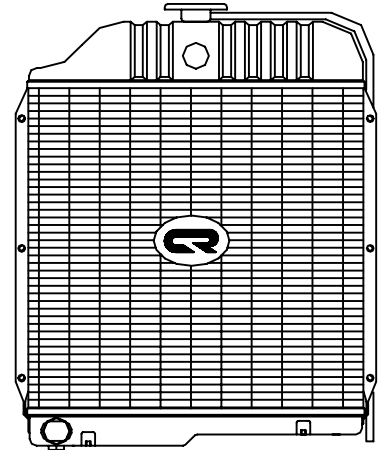
O.E PART NO.- 5138 1300 7291 CR  
 CORE TYPE- 5R L/D  
 CORE SIZE- 400\*428\*67.5  
 TUBES- 133  
 FINS- 140

MODEL- HMT 3022/2011



O.E PART NO.- 5130 1300 7291 CR  
 CORE TYPE- 3R L/D  
 CORE SIZE- 395\*413\*43  
 TUBES- 79  
 FINS- 122

MODEL- HMT 4922



O.E PART NO.- 5148 1300 71 CR  
 CORE TYPE- 4R H/D  
 CORE SIZE- 400\*423\*74  
 TUBES- 157  
 FINS- 140

Radiators illustrated are not in proportion to one another.