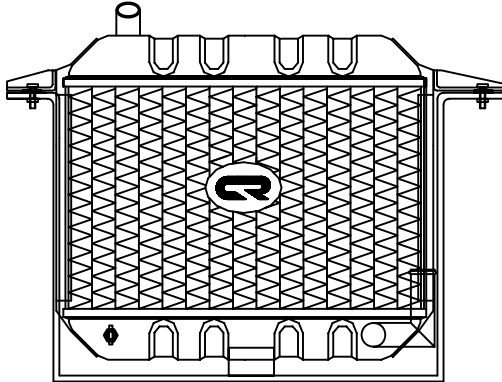
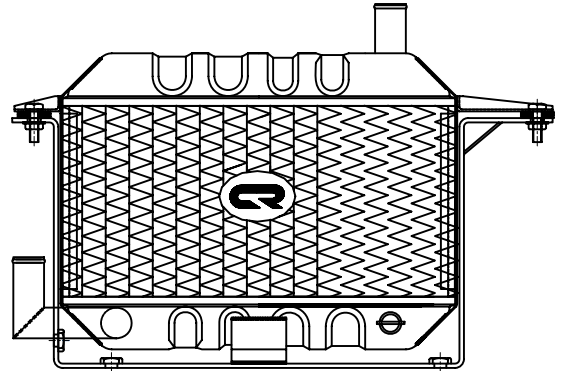


MODEL- SCOOTER INDIA
(Water Cooler)



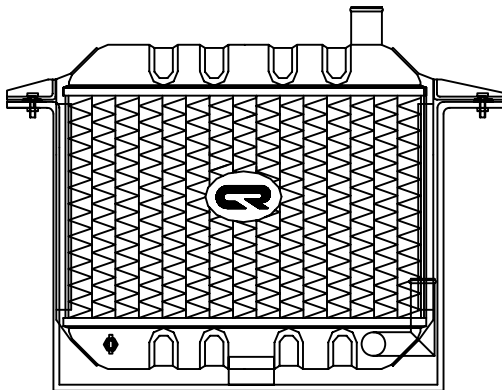
O.E PART NO.- 4481 4210
CORE TYPE- 2R MCC
CORE SIZE- 174*348*32
TUBES- 56
FINS- 29

MODEL- SCOOTER INDIA BSIII



O.E PART NO.- 0900 21209
CORE TYPE- 2R MCC
CORE SIZE- 174*348*32
TUBES- 56
FINS- 29

MODEL- SCOOTER INDIA (CNG)



O.E PART NO.- 0800 18530
CORE TYPE- 2R MCC
CORE SIZE- 174*348*32
TUBES- 56
FINS- 29

Radiators illustrated are not in proportion to one another.