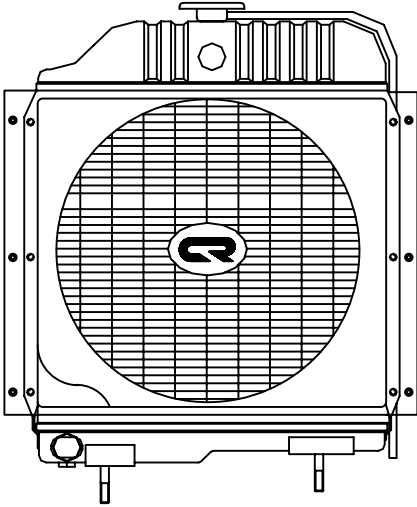
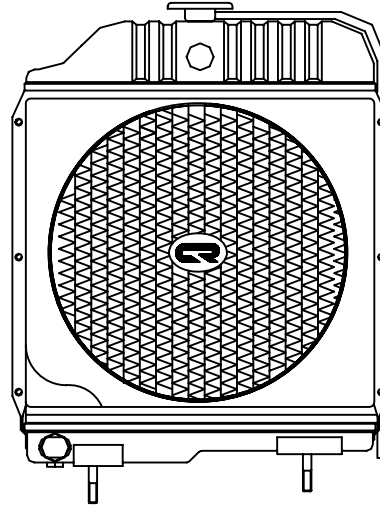


MODEL-INTERNATIONAL SONALIKA
30 HP



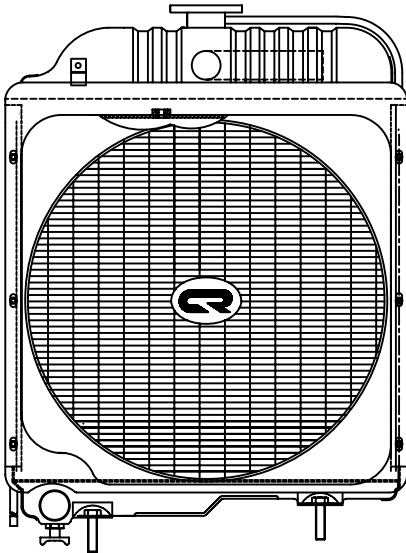
O.E PART NO.- EP-313201 / A
CORE TYPE- 3R LF
CORE SIZE- 395*420*51
TUBES- 115+4
FINS- 122+/-2

MODEL- INTERNATIONAL TRACTOR
30 HP



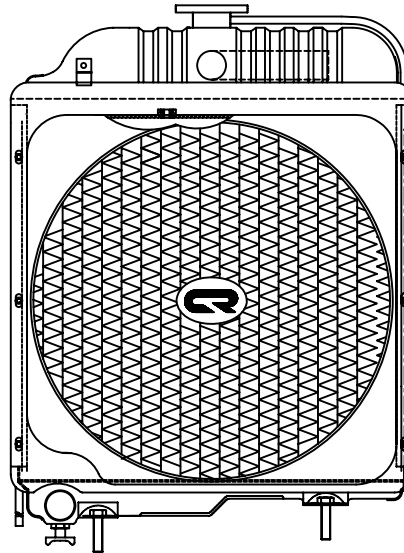
O.E PART NO.- EP-213001/A
CORE TYPE- 2R MCC
CORE SIZE- 395*415*32
TUBES- 66
FINS- 34

MODEL-INTERNATIONAL SONALIKA
5R HD



O.E PART NO.- EP-413702
CORE TYPE- 5R H/D
CORE SIZE- 420*416*78
TUBES- 218+4
FINS- 80+/-2

MODEL- INTERNATIONAL SONALIKA
90HP



O.E PART NO.- EP 413801/B
CORE TYPE- 4R MCC.
CORE SIZE- 423*415*66
TUBES- 132
FINS- 34

Radiators illustrated are not in proportion to one another.