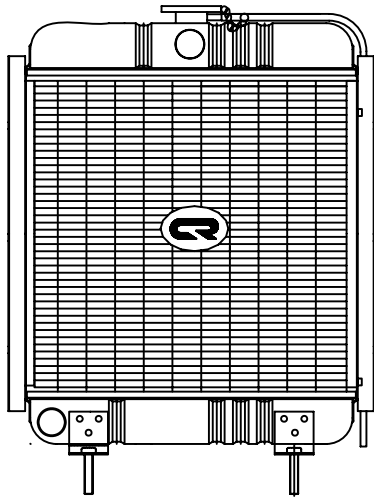
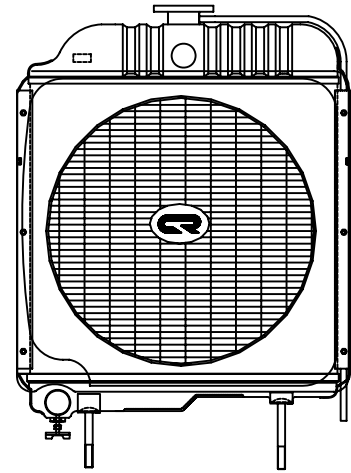


## MODEL- STANDRAD COMBINE 475



O.E PART NO.- RM-010 (75)  
 CORE TYPE- 4R L/F  
 CORE SIZE- 423\*432\*67.5  
 TUBES- 162  
 FINS- 162

## MODEL- STANDRAD COMBINE 460



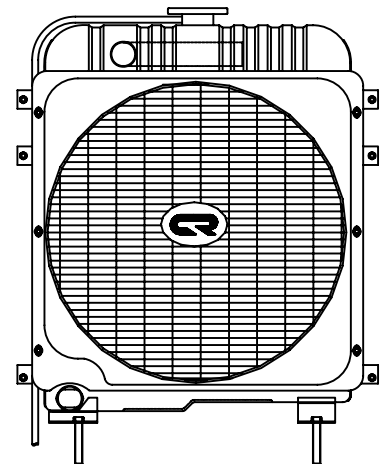
O.E PART NO.- RM-010 (60)  
 CORE TYPE- 4R H/D  
 CORE SIZE- 400\*423\*74  
 TUBES- 186  
 FINS- 124

## MODEL- INDOFARM 50 HP



O.E PART NO.- 20001000 CR  
 CORE TYPE- 4R H/D  
 CORE SIZE- 423\*423\*74  
 TUBES- 194  
 FINS- 82

## MODEL- INDOFARM 40 HP



O.E PART NO.- 10001000 CR  
 CORE TYPE- 3R H/D  
 CORE SIZE- 395\*415\*55  
 TUBES- 108  
 FINS- 122

Radiators illustrated are not in proportion to one another.